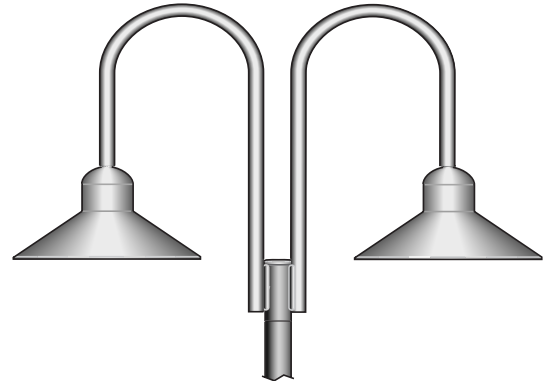
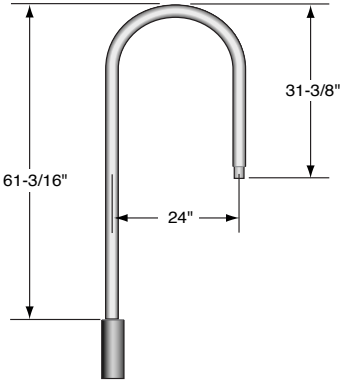
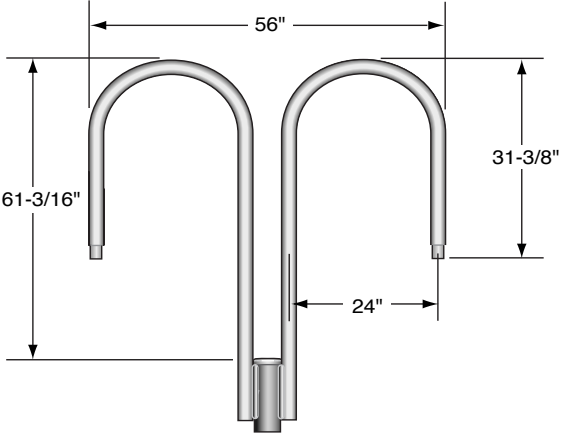


- 1-1/2" NPT pipe nipple luminaire attachment on shepherd's crooks.

SPECIFICATIONS

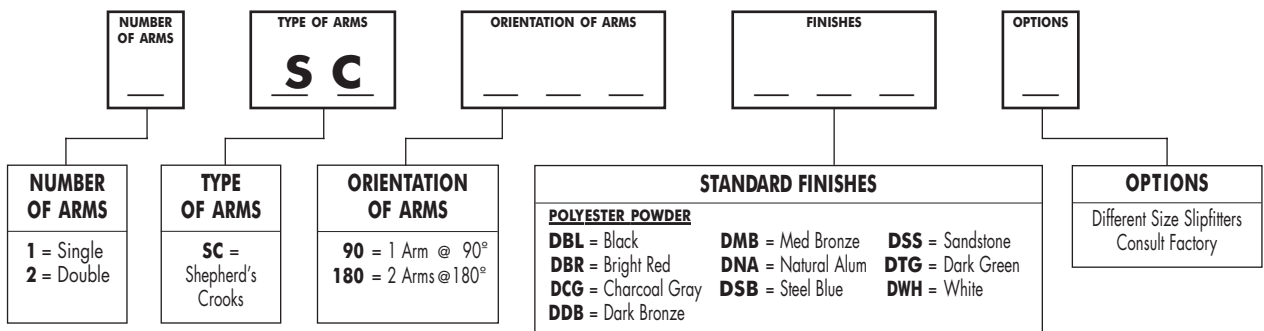
HERITAGE series shepherd's crooks are constructed out of seamless aluminum tubing. These products include: factory installed rubber grommets for wireways, press-on end caps and hub/set screw shaft mounting connection for easy orientation adjustment in the field.



SINGLE SHEPHERD'S CROOK	DOUBLE SHEPHERD'S CROOK
	
<p>Model Number: 1SC90 EPA of Bracket: 1.99</p> <p>Typical Wt. Load Per Tenon: 50Lbs. Max. EPA Load Per Tenon: 6.0</p>	<p>Model Number: 2SC180 EPA of Bracket: 4.18</p> <p>Typical Wt. Load Per Tenon: 50Lbs. Max. EPA Load Per Tenon: 6.0</p>

Tenon loading has been calculated for weights indicated based on a 100 M.P.H constant wind with a 1.3 gust factor. When loading requirements exceed these limits contact your Valmont representative or Valmont Industries. Variations from sizes listed above are available upon inquiry at the factory.

CATALOG LOGIC



SPC7081 05/05 - This spec supercedes all previous publications.