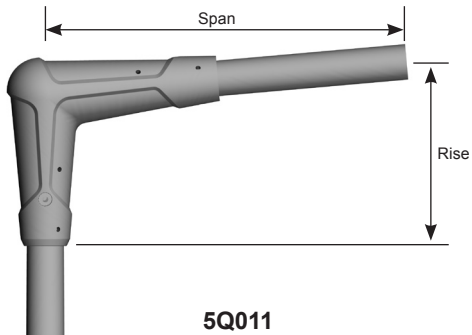
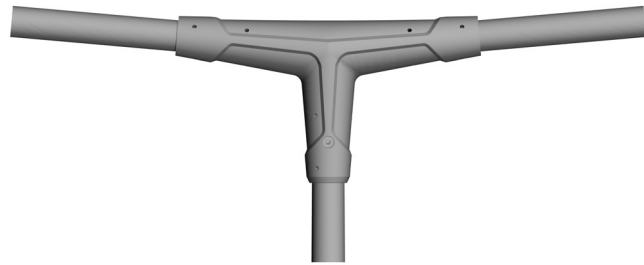


Job Name: _____	Client Name: _____
Job Location - City: _____ State: _____	Created By: _____ Date: _____
Product: _____ Quote: _____	Customer Approval: _____ Date: _____

## SPECIFICATIONS



5Q011



5Q012

## LOAD AND DIMENSIONAL DATA

DESIGN INFORMATION							LOADING INFORMATION		
ARM DESIGN	MODEL NUMBER	ARM TYPE	SPAN (FT)	RISE (IN)	ARM EPA (SQ FT)	ARM WEIGHT (LBS)	MAX DESIGN WIND SPEED (MPH) w/ 1.3 GUST	MAX LUMINAIRE EPA (SQ FT)	MAX LUMINAIRE WEIGHT (LBS)
Single	5Q011	A01	1.5	11.75	1.01	10	100	3.00	75
		A02	2	12.28	1.10	11	100	3.00	75
		A03	3	13.33	1.33	12	100	3.00	75
		A04	4	14.38	1.54	13	100	3.00	75
		A06	6	16.48	1.98	16	100	3.00	75
		A08	8	18.58	2.42	22	100	3.00	75
Double - 180°	5Q012	A01	1.5	11.75	1.14	14	100	3.00	75
		A02	2	12.28	1.33	16	100	3.00	75
		A03	3	13.33	1.77	18	100	3.00	75
		A04	4	14.38	2.21	21	100	3.00	75
		A06	6	16.48	3.08	26	100	3.00	75
		A08	8	18.58	3.96	38	100	3.00	75

**NOTE:**

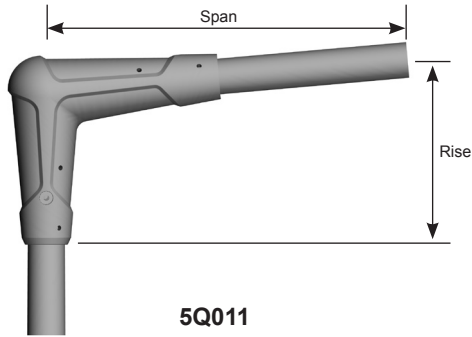
- Two-piece construction consisting of a cast aluminum hub and aluminum pipe arm
- Choice of six arm-spans for optimal illumination to match a variety of roadway settings
- Cast aluminum hub accepts 2.38" OD X 6.00" tall pole top tenon or 2.40" OD pole top

## PRODUCT ORDERING CODES

DESIGN SERIES	MODEL NUMBER	ARM TYPE	LUMINAIRE MOUNTING	LUMINAIRE ARM COLOR		OPTIONS
PTA	5Q011 5Q012	A01 A02 A03 A04 A06 A08	E2 = 2.38" OD Slip Fit	<b>STEEL</b> WH = White ST = Sandstone BK = Black SM = Silver Metallic SL = Silver LG = Light Gray SG = Slate Gray DT = Dark Tan MB = Medium Bronze CB = Bronze DB = Dark Bronze BN = Brown HG = Hunter Green DG = Dark Green RD = Red SC = Special Color (Contact Factory)	<b>ALUMINUM</b> DWH = White DSS = Sandstone BR = Burgundy HG = Hunter Green DNA = Natural Aluminum DCG = Charcoal Gray DMB = Medium Bronze SBN = Sanded Brown DNB = New Dark Bronze DDB = Dark Bronze SBK = Sanded Black DBL = Black DSB = Steel Blue DTG = Dark Green DBR = Red SC = Special Color (Contact Factory)	See Accessories at <a href="http://valmontstructures.com">valmontstructures.com</a> (Please Specify)

Job Name: _____	Client Name: _____
Job Location - City: _____ State: _____	Created By: _____ Date: _____
Product: _____ Quote: _____	Customer Approval: _____ Date: _____

## SPECIFICATIONS



5Q011



5Q012

## LOAD AND DIMENSIONAL DATA

DESIGN INFORMATION							LOADING INFORMATION		
ARM DESIGN	MODEL NUMBER	ARM TYPE	SPAN (FT)	RISE (IN)	ARM EPA (SQ FT)	ARM WEIGHT (LBS)	MAX DESIGN WIND SPEED (MPH) w/ 1.3 GUST	MAX LUMINAIRE EPA (SQ FT)	MAX LUMINAIRE WEIGHT (LBS)
Single	5Q011	A01	1.5	11.75	1.01	12	100	3.00	75
		A02	2	12.28	1.10	14	100	3.00	75
		A03	3	13.33	1.33	18	100	3.00	75
		S04	4	14.38	1.54	22	100	3.00	75
		S06	6	16.48	1.98	29	100	3.00	75
		S08	8	18.58	2.42	36	100	2.60	66
		S10	10	20.67	2.86	57	90	3.00	75
							100	2.60	75
		S12	12	22.77	3.29	67	80	2.70	75
							90	2.60	60
							100	1.90	60
		Double - 180°	5Q012	A01	1.5	11.75	1.14	19	100
A02	2			12.28	1.33	23	100	3.00	75
A03	3			13.33	1.77	30	100	3.00	75
S04	4			14.38	2.21	38	100	3.00	75
S06	6			16.48	3.08	53	100	3.00	75
S08	8			18.58	3.96	68	100	2.60	66
							90	3.00	75
S10	10			20.67	4.84	108	100	2.60	75
							80	2.70	75
S12	12			22.77	5.71	129	90	2.60	60
							100	1.90	60

**NOTE:**

- Two-piece construction consisting of a cast aluminum hub and steel pipe arm
- Choice of eight arm-spans for optimal illumination to match a variety of roadway settings
- Cast aluminum hub accepts 2.38" OD X 6.00" tall pole top tenon or 2.40" OD pole top

## PRODUCT ORDERING CODES

DESIGN SERIES	MODEL NUMBER	ARM TYPE	LUMINAIRE MOUNTING	LUMINAIRE ARM COLOR		OPTIONS
PTS			E2			
	5Q011 5Q012	A01 A02 A03 S04 S06 S08 S10 S12	E2 = 2.38" OD Slip Fit	<b>STEEL</b> WH = White ST = Sandstone BK = Black SM = Silver Metallic SL = Silver LG = Light Gray SG = Slate Gray DT = Dark Tan MB = Medium Bronze CB = Bronze DB = Dark Bronze BN = Brown HG = Hunter Green DG = Dark Green RD = Red SC = Special Color (Contact Factory)	<b>ALUMINUM</b> DWH = White DSS = Sandstone BR = Burgundy HG = Hunter Green DNA = Natural Aluminum DCG = Charcoal Gray DMB = Medium Bronze SBN = Sanded Brown DNB = New Dark Bronze DDB = Dark Bronze SBK = Sanded Black DBL = Black DSB = Steel Blue DTG = Dark Green DBR = Red SC = Special Color (Contact Factory)	See Accessories at <a href="http://valmontstructures.com">valmontstructures.com</a> (Please Specify)