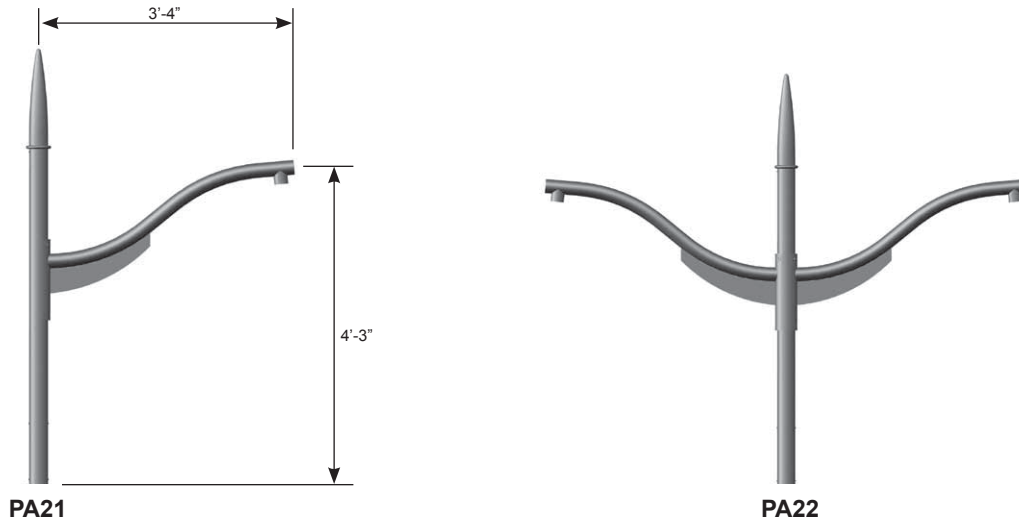


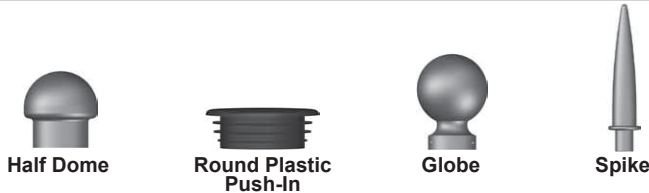
| | |
|---|--------------------------------------|
| Job Name: _____ | Client Name: _____ |
| Job Location - City: _____ State: _____ | Created By: _____ Date: _____ |
| Product: _____ Quote: _____ | Customer Approval: _____ Date: _____ |

SPECIFICATIONS



| ARM TYPE | ARM ATTACHMENT | EPA (SQ. FT) | WEIGHT (LBS) | MODEL NUMBER |
|---------------|-------------------------|--------------|--------------|--------------|
| Single | 2.38" OD x 12.00" Tenon | 3.3 | 38 | PA21 |
| Double - 180° | 2.38" OD x 12.00" Tenon | 4.9 | 44 | PA22 |

FINIALS



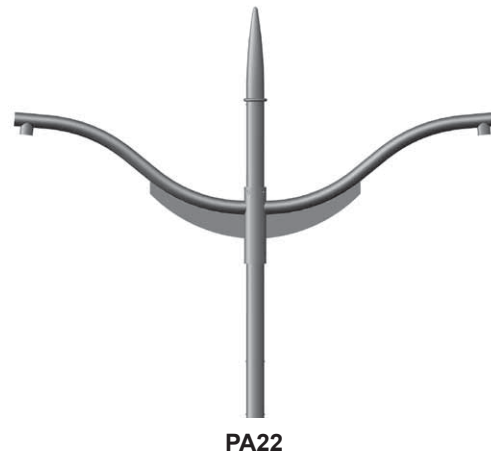
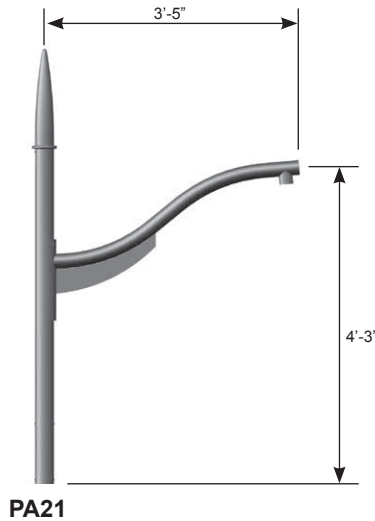
PRODUCT ORDERING CODES

| DESIGN SERIES | MODEL NUMBER | LUMINAIRE MOUNTING | VERTICAL UPRIGHT COLOR* | LUMINAIRE ARM COLOR* | FINIAL | FINIAL COLOR* | OPTIONS |
|---------------|--------------|--|---|---|--|---------------|--|
| PTA | PA21 PA22 | D2 = 1.50" NPS Coupling E2 = 2.38" OD Slipfit T2 = 2.38" OD x 3.00" T3 = 3.00" OD x 3.00" ST = Special Tenon (Specify) | STEEL WH = White ST = Sandstone BK = Black SM = Silver Metallic SL = Silver LG = Light Gray SG = Slate Gray DT = Dark Tan MB = Medium Bronze CB = Bronze DB = Dark Bronze BN = Brown HG = Hunter Green DG = Dark Green RD = Red SC = Special Color (Contact Factory) | ALUMINUM DWH = White DSS = Sandstone BR = Burgundy HG = Hunter Green DNA = Natural Aluminum DCG = Charcoal Gray DMB = Medium Bronze SBN = Sanded Brown DNB = New Dark Bronze DDB = Dark Bronze SBK = Sanded Black DBL = Black DSB = Steel Blue DTG = Dark Green DBR = Red SC = Special Color (Contact Factory) | D = Half Dome F = Round Plastic Push-In G = Globe S = Spike | | See Accessories at valmontstructures.com (Please Specify) |

* Choose steel or aluminum when used in conjunction with the appropriate pole material.

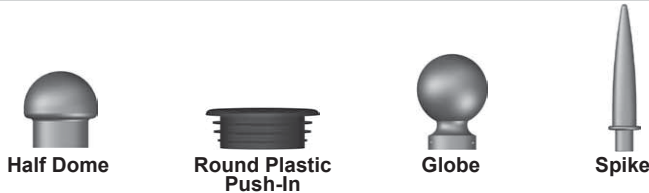
| | |
|---|--------------------------------------|
| Job Name: _____ | Client Name: _____ |
| Job Location - City: _____ State: _____ | Created By: _____ Date: _____ |
| Product: _____ Quote: _____ | Customer Approval: _____ Date: _____ |

SPECIFICATIONS



| ARM TYPE | ARM ATTACHMENT | EPA (SQ. FT) | WEIGHT (LBS) | MODEL NUMBER |
|---------------|-------------------------|--------------|--------------|--------------|
| Single | 2.38" OD x 12.00" Tenon | 3.2 | 64 | PA21 |
| Double - 180° | 2.38" OD x 12.00" Tenon | 4.9 | 84 | PA22 |

FINIALS



PRODUCT ORDERING CODES

| DESIGN SERIES | MODEL NUMBER | LUMINAIRE MOUNTING | VERTICAL UPRIGHT COLOR | LUMINAIRE ARM COLOR | FINIAL | FINIAL COLOR* | OPTIONS |
|---------------|--------------|--|------------------------|---|--|---------------|--|
| PTS | PA21 PA22 | D2 = 1.50" NPS Coupling E2 = 2.38" OD Slipfit T2 = 2.38" OD x 3.00" T3 = 3.00" OD x 3.00" ST = Special Tenon (Specify) | V | STEEL WH = White ST = Sandstone BK = Black SM = Silver Metallic SL = Silver LG = Light Gray SG = Slate Gray DT = Dark Tan MB = Medium Bronze CB = Bronze DB = Dark Bronze BN = Brown HG = Hunter Green DG = Dark Green RD = Red SC = Special Color (Contact Factory) | D = Half Dome F = Round Plastic Push-In G = Globe S = Spike | | See Accessories at valmontstructures.com (Please Specify) |

SPC7354 04/09 valmontstructures.com carries the most current spec information and supersedes these guidelines.