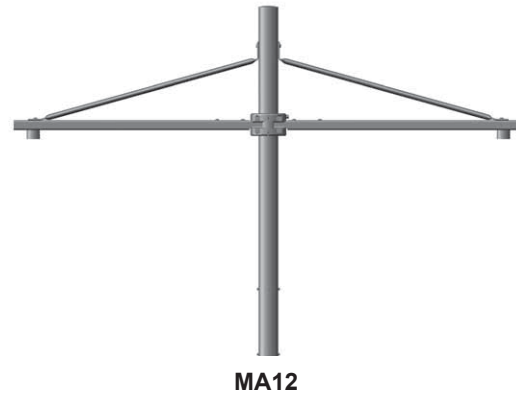
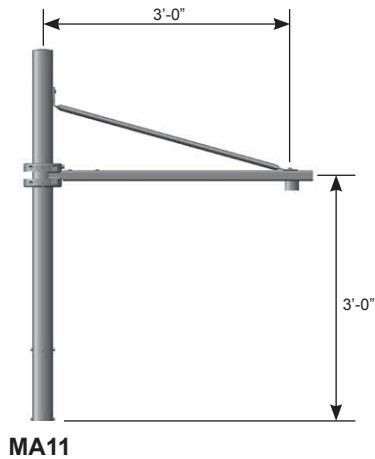


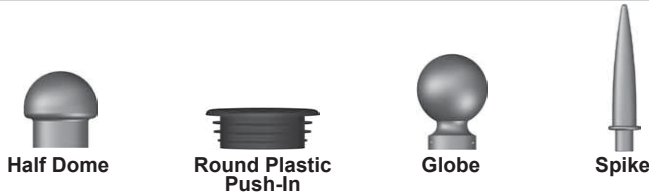
Job Name: _____	Client Name: _____
Job Location - City: _____ State: _____	Created By: _____ Date: _____
Product: _____ Quote: _____	Customer Approval: _____ Date: _____

SPECIFICATIONS



ARM TYPE	ARM ATTACHMENT	EPA (SQ. FT)	WEIGHT (LBS)	MODEL NUMBER
Single	2.38" OD x 12.00" Tenon	2.7	27	MA11
Double - 180°	2.38" OD x 12.00" Tenon	3.9	35	MA12

FINIALS



PRODUCT ORDERING CODES

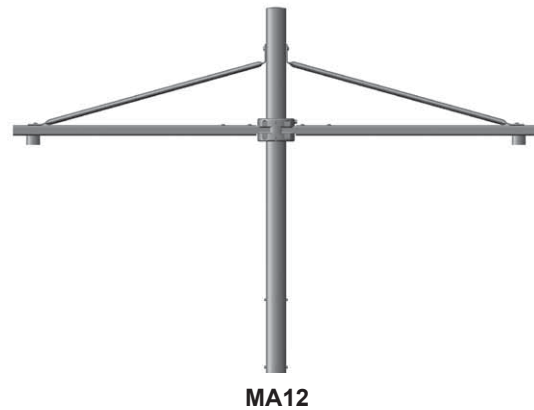
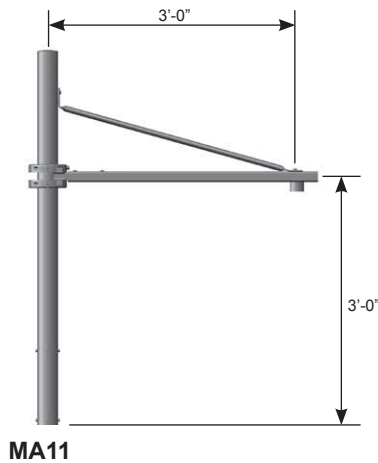
DESIGN SERIES	MODEL NUMBER	LUMINAIRE MOUNTING	VERTICAL UPRIGHT COLOR*	LUMINAIRE ARM COLOR*	FINIAL	FINIAL COLOR*	OPTIONS
PTA	MA11 MA12	D2 = 1.50" NPS Coupling ST = Special Tenon (Specify)	STEEL WH = White ST = Sandstone BK = Black SM = Silver Metallic SL = Silver LG = Light Gray SG = Slate Gray DT = Dark Tan MB = Medium Bronze CB = Bronze DB = Dark Bronze BN = Brown HG = Hunter Green DG = Dark Green RD = Red SC = Special Color (Contact Factory)	ALUMINUM DWH = White DSS = Sandstone BR = Burgundy HG = Hunter Green DNA = Natural Aluminum DCG = Charcoal Gray DMB = Medium Bronze SBN = Sanded Brown DNB = New Dark Bronze DDB = Dark Bronze SBK = Sanded Black DBL = Black DSB = Steel Blue DTG = Dark Green DBR = Red SC = Special Color (Contact Factory)	D = Half Dome F = Round Plastic Push-In G = Globe S = Spike		See Accessories at valmontstructures.com (Please Specify)

* Choose steel or aluminum when used in conjunction with the appropriate pole material. Diagonal decorative rod is finished in the color selected for the vertical upright.

SPC7342 04/09 valmontstructures.com carries the most current spec information and supersedes these guidelines.

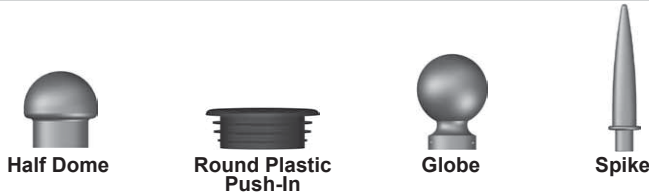
Job Name: _____	Client Name: _____
Job Location - City: _____ State: _____	Created By: _____ Date: _____
Product: _____ Quote: _____	Customer Approval: _____ Date: _____

SPECIFICATIONS



ARM TYPE	ARM ATTACHMENT	EPA (SQ. FT)	WEIGHT (LBS)	MODEL NUMBER
Single	2.38" OD x 12.00" Tenon	2.7	53	MA11
Double - 180°	2.38" OD x 12.00" Tenon	3.9	75	MA12

FINIALS



PRODUCT ORDERING CODES

DESIGN SERIES	MODEL NUMBER	LUMINAIRE MOUNTING	VERTICAL UPRIGHT COLOR*	LUMINAIRE ARM COLOR*	FINIAL	FINIAL COLOR*	OPTIONS
PTS	MA11 MA12	D2 = 1.50" NPS Coupling ST = Special Tenon (Specify)	V	STEEL WH = White ST = Sandstone BK = Black SM = Silver Metallic SL = Silver LG = Light Gray SG = Slate Gray DT = Dark Tan MB = Medium Bronze CB = Bronze DB = Dark Bronze BN = Brown HG = Hunter Green DG = Dark Green RD = Red SC = Special Color (Contact Factory)	D = Half Dome F = Round Plastic Push-In G = Globe S = Spike		See Accessories at valmontstructures.com (Please Specify)

* Diagonal decorative rod is finished in the color selected for the vertical upright.

SPC7357 04/09 valmontstructures.com carries the most current spec information and supersedes these guidelines.