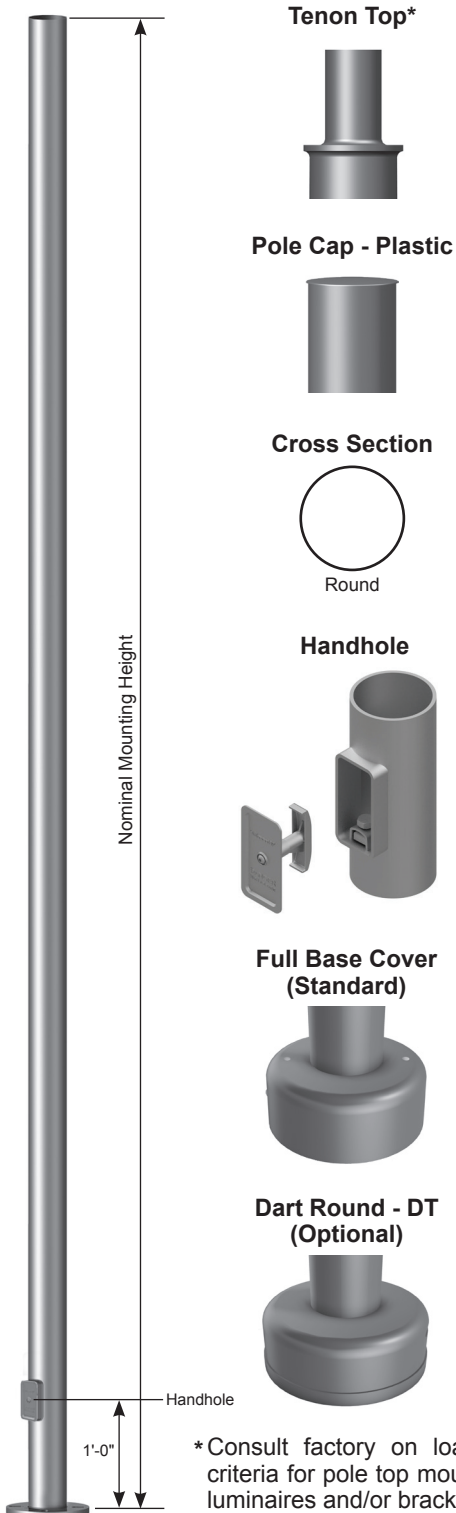


Job Name: _____	Client Name: _____
Job Location - City: _____ State: _____	Created By: _____ Date: _____
Product: <u>DS340</u> Quote: _____	Customer Approval: _____ Date: _____



SPECIFICATIONS

Pole Shaft - The pole shaft is fabricated from hot rolled welded steel tubing of one-piece construction with a minimum yield strength of 42 KSI.

Pole Top - A removable pole cap is provided for poles receiving drilling patterns for side-mount luminaire arm assemblies. For top mount luminaire and/or bracket consult the factory. Consult the luminaire manufacturer for correct tenon size or drill pattern. Other pole top options include pole cap only (PC) or plain top (PL) which is typical when the pole top diameter matches the necessary slip fit dimensions.

Handhole - A reinforced handhole with grounding provision is provided at 1'-0" from the base end of the pole assembly. Each handhole includes an easy to install, self-contained Swing Latch handhole cover assembly. U.S. Patent Swing Latch cover is fabricated from durable polycarbonate/ABS blend plastic. All pole assemblies are provided with a 2.50" x 5.00" rectangular handhole. Handhole dimensions are nominal.

Base Cover - A two-piece full base cover fabricated from ABS plastic is provided with each pole assembly. Additional base cover options, including the dart round (DT) cast aluminum cover, are available upon request.

Anchor Bolts - Anchor bolts conform to ASTM F1554 Grade 55 and are provided with two hex nuts and two flat washers. Bolts have an "L" bend on one end and are galvanized a minimum of 12" on the threaded end.

Hardware - All structural fasteners are galvanized high strength carbon steel. All non-structural fasteners are galvanized or zinc-plated carbon steel or stainless steel.

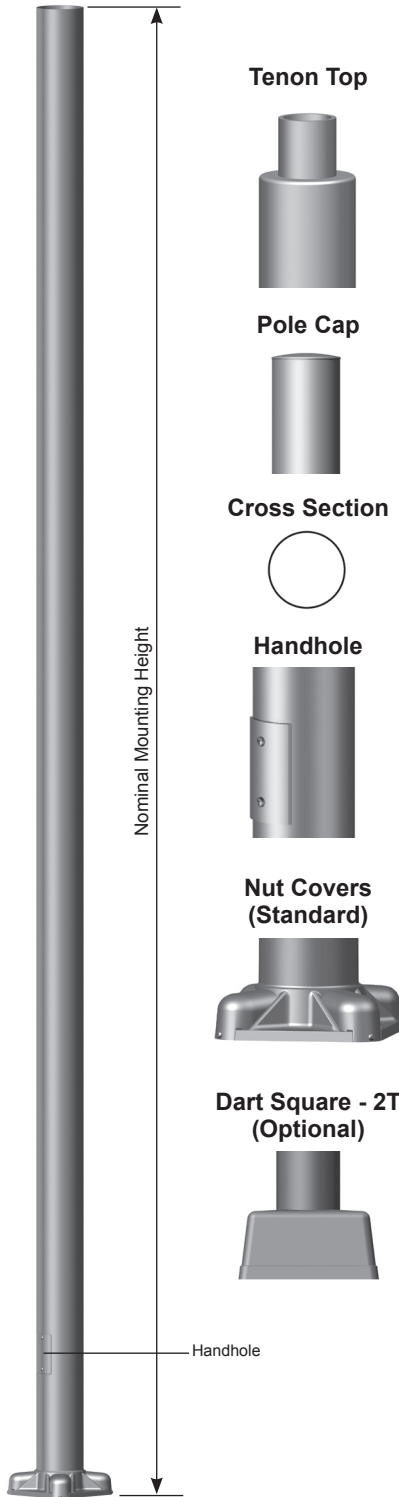
Finish - Standard finishes are Galvanized (GV) or Finish Painted (FP). Additional finish options, including Finish Paint over Galvanizing (FPGV) or any of the V-PRO™ Finish Coating Systems are available upon request. See the product ordering code for color options.

Design Criteria - Please reference Design Criteria Specification for appropriate design conditions.

*Consult factory on loading criteria for pole top mounted luminaires and/or brackets.

Job Name: _____	Client Name: _____
Job Location - City: _____ State: _____	Created By: _____ Date: _____
Product: _____ Quote: _____	Customer Approval: _____ Date: _____

SPECIFICATIONS



Pole - The pole shaft is extruded from seamless 6000 series alloy aluminum.

Pole Top - A pole top tenon is provided for top mount luminaire and/or bracket. A removable pole cap is available for poles receiving drilling patterns for side-mount luminaire arm assemblies.

Handhole - A covered handhole with hardware and grounding provision are provided.

Base Cover - Optional Dart Square-2T cast and decorative base covers available as special order.

Anchor Base - The anchor base is cast from 356 alloy aluminum. The completed assembly is heat-treated to a T6 temper. Aluminum nut covers are included with anchor base unless otherwise specified.

Anchor Bolts - Anchor bolts conform to ASTM F1554 Grade 55 and are provided with two hex nuts and two flat washers. Bolts have an "L" bend on one end and are galvanized a minimum of 12" on the threaded end.

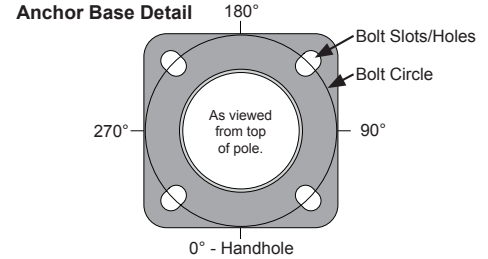
Finish - The standard finish for the pole assembly and components is satin brushed, natural anodize, duranodic or polyester powder applied coating in accordance with Valmont's Specifications. Additional finish options available upon request.

8' to 14' Round Non-Tapered Aluminum 4-Bolt Anchor Base Pole

Job Name: _____	Client Name: _____
Job Location - City: _____ State: _____	Created By: _____ Date: _____
Product: _____ Quote: _____	Customer Approval: _____ Date: _____

ANCHORAGE DATA

POLE		BASE PLATE				ANCHOR BOLTS		
BASE OD (IN)	WALL THK (IN)	BOLT CIRCLE		SQUARE (IN)	THK (IN)	DIA x LENGTH x HOOK (IN)	PROJECTION (IN)	± (IN)
		DIA (IN)	± (IN)					
4.00	0.125	7.50	0.75	8.91	0.630	0.75 x 17.00 x 3.00	3.25	N/A
4.50	0.125	7.84	0.78	9.26	0.630	0.75 x 17.00 x 3.00	3.25	N/A
4.50	0.188	7.84	0.78	9.26	0.630	0.75 x 17.00 x 3.00	3.25	N/A
5.00	0.125	8.63	0.88	9.61	0.630	0.75 x 17.00 x 3.00	3.25	N/A
5.00	0.156	8.63	0.88	9.61	0.630	0.75 x 17.00 x 3.00	3.25	N/A
5.00	0.188	8.63	0.88	9.61	0.630	0.75 x 17.00 x 3.00	3.25	N/A



LOAD AND DIMENSIONAL DATA

NOMINAL MOUNTING HEIGHT	DESIGN INFORMATION										POLE DIMENSIONS					
	70 MPH w/1.3 GUST		80 MPH w/1.3 GUST		90 MPH w/1.3 GUST		100 MPH w/1.3 GUST		110 MPH w/1.3 GUST ¹		POLE HEIGHT	BASE OD (IN)	TOP OD (IN)	WALL THK (IN)	STRUCTURE WEIGHT ³ (LBS)	MODEL NUMBER
	MAX EPA ² (SQ FT)	MAX WEIGHT (LBS)	MAX EPA ² (SQ FT)	MAX WEIGHT (LBS)	MAX EPA ² (SQ FT)	MAX WEIGHT (LBS)	MAX EPA ² (SQ FT)	MAX WEIGHT (LBS)	MAX EPA ² (SQ FT)	MAX WEIGHT (LBS)						
8'-0"	10.7	75	7.9	75	6.0	75	4.7	75	3.9	75	8'-0"	4.00	4.00	0.125	19	080040404S4
	14.9	75	11.2	75	8.6	75	6.9	75	5.7	75	8'-0"	4.50	4.50	0.125	21	080045454S4
	22.0	75	16.6	75	12.9	75	10.4	75	8.5	75	8'-0"	4.50	4.50	0.188	29	080045456S4
10'-0"	8.1	75	5.9	75	4.3	75	3.3	75	2.7	75	10'-0"	4.00	4.00	0.125	22	100040404S4
	11.5	100	8.4	100	6.4	100	5.1	100	4.1	100	10'-0"	4.50	4.50	0.125	25	100045454S4
	17.3	100	12.8	100	9.9	100	7.9	100	6.5	100	10'-0"	4.50	4.50	0.188	35	100045456S4
	15.4	100	11.5	100	8.9	100	7.1	100	5.8	100	10'-0"	5.00	5.00	0.125	27	100050504S4
12'-0"	6.2	75	4.3	75	3.0	75	2.2	75	1.7	75	12'-0"	4.00	4.00	0.125	26	120040404S4
	9.0	75	6.5	75	4.8	75	3.8	75	3.0	75	12'-0"	4.50	4.50	0.125	29	120045454S4
	13.9	75	10.2	75	7.7	75	6.2	75	5.0	75	12'-0"	4.50	4.50	0.188	41	120045456S4
	12.2	100	9.0	100	6.9	100	5.5	100	4.4	100	12'-0"	5.00	5.00	0.125	32	120050504S4
	15.5	100	11.5	100	8.9	100	7.1	100	5.8	100	12'-0"	5.00	5.00	0.156	38	120050505S4
14'-0"	18.8	100	14.0	100	10.9	100	8.7	100	7.1	100	12'-0"	5.00	5.00	0.188	45	120050506S4
	4.6	100	3.0	100	1.9	100	1.2	100	0.9	100	14'-0"	4.00	4.00	0.125	30	140040404S4
	6.9	100	4.7	100	3.4	100	2.6	100	2.0	100	14'-0"	4.50	4.50	0.125	33	140045454S4
	11.1	100	7.9	100	5.9	100	4.6	100	3.7	100	14'-0"	4.50	4.50	0.188	47	140045456S4
	9.7	100	6.9	100	5.3	100	4.1	100	3.3	100	14'-0"	5.00	5.00	0.125	36	140050504S4
	12.5	100	9.1	100	7.0	100	5.5	100	4.4	100	14'-0"	5.00	5.00	0.156	44	140050505S4
	15.3	100	11.2	100	8.7	100	6.9	100	5.6	100	14'-0"	5.00	5.00	0.188	52	140050506S4

- EPA values are calculated using fastest mile winds.
- EPA represents the Effective Projected Area of each luminaire. Designs are limited to top mount or side-mount luminaires. Variations from sizes above are available upon inquiry at the factory. Satisfactory performance of poles is dependent upon the pole being properly attached to a supporting foundation of adequate design.
- Structure weight is a nominal value which includes the pole shaft and base plate.

PRODUCT ORDERING CODES

CROSS SECTION	MODEL NUMBER	FIXTURE MOUNTING	COLOR	OPTIONS	
R					
R = Round	080040404S4 080045454S4 080045456S4 100040404S4 100045454S4 100045456S4 100050504S4 120040404S4 120045454S4 120045456S4 120050504S4 120050505S4 120050506S4 140040404S4 140045454S4 140045456S4	Drill Mounting D1 = 1 Luminaire D2 = 2 @ 180° D3 = 3 @ 120° D4 = 4 @ 90° D5 = 2 @ 90° D6 = 3 @ 90° Tenon Mounting P2 = 2.38" OD x 4.00" P3 = 3.50" OD x 6.00" P4 = 4.00" OD x 6.00" P5 = 2.88" OD x 4.00" P7 = 2.38" OD x 5.00" PQ = 2.38" OD x 12.00" PD = 3.00" OD x 3.00" -- = Plain Top P9 = Other Tenon (Contact Factory)	Polyester Powder DWH = White DSS = Sandstone HTG = Hunter Green DNA = Natural Aluminum DCG = Charcoal Gray DMB = Medium Bronze DNB = New Dark Bronze DDB = Dark Bronze DBL = Black DSB = Steel Blue DTG = Dark Green DBR = Red SC = Special Color (Contact Factory)	Anodized 204 = Clear Natural 311 = Light Bronze* 312 = Medium Bronze* 313 = Dark Bronze* 335 = Black* *Duranodic Anodize Brushed SBF = Satin Brushed	See Accessories at valmontstructures.com (Please Specify with Code)

SPC7074 09/17 valmontstructures.com carries the most current spec information and supersedes these guidelines.

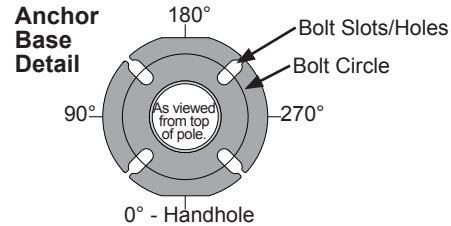
DS340

Round Non-Tapered Steel Post

Job Name: _____	Client Name: _____
Job Location - City: _____ State: _____	Created By: _____ Date: _____
Product: DS340 Quote: _____	Customer Approval: _____ Date: _____

ANCHORAGE DATA

POLE	BASE PLATE					ANCHOR BOLTS			
	BASE OD (IN)	WALL THK (IN)	BOLT CIRCLE		DIAMETER	THK	DIA x LENGTH x HOOK	PROJECTION	±
	(IN)	(IN)	DIA (IN)	± (IN)	(IN)	(IN)	(IN)	(IN)	(IN)
3.00	0.120	8.00	1.00	10.50	0.750	0.75 x 17.00 x 3.00	3.50	0.25	
4.00	0.120	8.00	1.00	10.50	0.750	0.75 x 17.00 x 3.00	3.50	0.25	
4.50	0.120	8.00	1.00	10.50	0.750	0.75 x 17.00 x 3.00	3.50	0.25	
5.00	0.120	8.00	1.00	10.50	0.750	0.75 x 17.00 x 3.00	3.50	0.25	
5.00	0.180	8.00	1.00	10.50	0.750	0.75 x 17.00 x 3.00	3.50	0.25	



DESIGNATION, LOAD AND DIMENSIONAL DATA

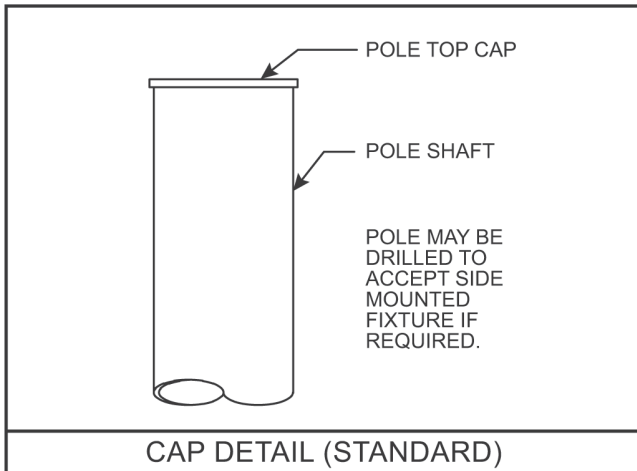
NOMINAL MOUNTING HEIGHT	DESIGN INFORMATION						POLE DIMENSIONS				DESIGNATION
	80 MPH w/1.3 GUST		90 MPH w/1.3 GUST		100 MPH w/1.3 GUST		BASE OD (IN)	TOP OD (IN)	WALL THK (IN)	STRUCTURE WEIGHT ² (LBS)	
	MAX EPA ¹ (SQFT)	MAX WEIGHT ¹ (LBS)	MAX EPA ¹ (SQFT)	MAX WEIGHT ¹ (LBS)	MAX EPA ¹ (SQFT)	MAX WEIGHT ¹ (LBS)					
10'-0"	10.0	250	7.7	190	6.0	175	3.00	3.00	0.120	55	300V100
	19.1	480	15.0	375	12.2	305	4.00	4.00	0.120	70	400V100
	24.5	615	19.5	490	15.8	395	4.50	4.50	0.120	75	450V100
12'-0"	7.7	195	5.8	145	4.4	130	3.00	3.00	0.120	60	300V120
	15.0	390	11.8	300	9.5	240	4.00	4.00	0.120	80	400V120
	19.8	495	15.7	395	12.7	320	4.50	4.50	0.120	85	450V120
	25.0	625	20.0	500	16.4	410	5.00	5.00	0.120	90	500V120
14'-0"	6.0	175	4.4	130	3.3	90	3.00	3.00	0.120	70	300V140
	12.2	305	9.4	250	7.6	195	4.00	4.00	0.120	90	400V140
	16.2	405	12.8	320	10.3	260	4.50	4.50	0.120	95	450V140
16'-0"	4.6	125	3.2	100	2.3	60	3.00	3.00	0.120	80	300V160
	9.6	250	7.4	185	5.9	150	4.00	4.00	0.120	100	400V160
	13.1	330	10.2	265	8.2	205	4.50	4.50	0.120	105	450V160
18'-0"	3.4	90	2.3	60	1.4	70	3.00	3.00	0.120	90	300V180
	7.6	190	5.7	180	4.5	130	4.00	4.00	0.120	110	400V180
	10.5	265	8.2	210	6.5	165	4.50	4.50	0.120	115	450V180
20'-0"	2.4	100	1.4	75	N/A	N/A	3.00	3.00	0.120	100	300V200
	6.0	150	4.4	150	3.4	125	4.00	4.00	0.120	120	400V200
	8.5	215	6.6	165	5.2	130	4.50	4.50	0.120	130	450V200
	11.7	300	9.1	230	7.2	180	5.00	5.00	0.120	145	500V200
25'-0"	2.8	100	1.9	75	1.3	75	4.00	4.00	0.120	145	400V250
	4.8	130	3.6	90	2.7	90	4.50	4.50	0.120	155	450V250
	7.2	180	5.5	150	4.2	150	5.00	5.00	0.120	180	500V250
	12.1	300	9.4	250	7.4	200	5.00	5.00	0.180	260	5006250
30'-0"	2.3	80	1.5	75	1.0	60	4.50	4.50	0.120	185	450V300
	4.2	150	3.0	125	2.2	100	5.00	5.00	0.120	210	500V300
	8.0	200	6.5	160	4.7	125	5.00	5.00	0.180	305	5006300

1. Maximum EPA (Effective Projected Area) and weight values are based on side mounted fixtures only. Consult factory on loading criteria for pole top mounted luminaires and/or brackets. Variations from sizes above are available upon inquiry at the factory. Satisfactory performance of poles is dependent upon the pole being properly attached to a supporting foundation of adequate design.
2. Structure weight is a nominal value which includes the pole shaft and base plate only.

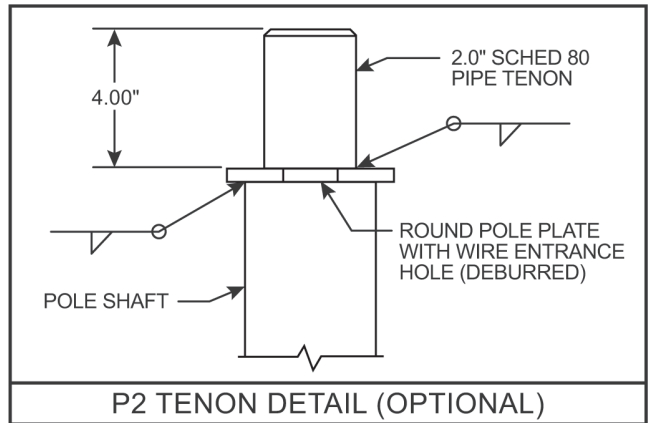
PRODUCT ORDERING CODES

MODEL	DESIGNATION	FIXTURE MOUNTING	FINISH SYSTEM	STANDARD COLOR OPTIONS	BASE COVER	ANCHOR BOLTS	SUPPLEMENTAL INFO
DS340							
	Select Correct Designation from the Load and Dimensional Data Chart.	Drill Mounting (See Orientation) D1 = (1) Drilling @ 270° D2 = (2) Drillings @ 90° & 270° D3 = (3) Drillings @ 60°, 180°, & 300° D4 = (4) Drillings @ 0°, 90°, 180°, & 270° D5 = (2) Drillings @ 180° & 270° D6 = (3) Drillings @ 90°, 180°, & 270° Tenon Mounting P2 = 2.38" OD x 4" tenon P4 = 4.00" OD x 6" tenon P5 = 2.88" OD x 4" tenon P6 = 2.88" OD x 5" tenon P7 = 2.38" OD x 5" tenon P9 = Special Size (Specify) Other Options PC = Pole Cap PL = Plain Top (No Cap)	GV = Galvanized FP = Finish Painted -----OPTIONAL----- FPGV = Finish Paint Over Galvanizing VP30 = V-PRO™ 30 System VP32 = V-PRO™ 32 System VP53 = V-PRO™ 53 System VP54 = V-PRO™ 54 System VP57 = V-PRO™ 57 System VP100 = V-PRO™ 100 System VP105 = V-PRO™ 105 System	GV = Galvanized BK = Black DB = Dark Bronze MB = Medium Bronze WH = White LG = Light Gray CB = Bronze DG = Dark Green ST = Sandstone HTG = Hunter Green SG = Slate Gray SL = Silver SC = Special Color (Specify)	FBC = Full Base Cover -----OPTIONAL----- DT = Round Dart Cover	AB = With Anchor Bolts LAB = Without Anchor Bolts	

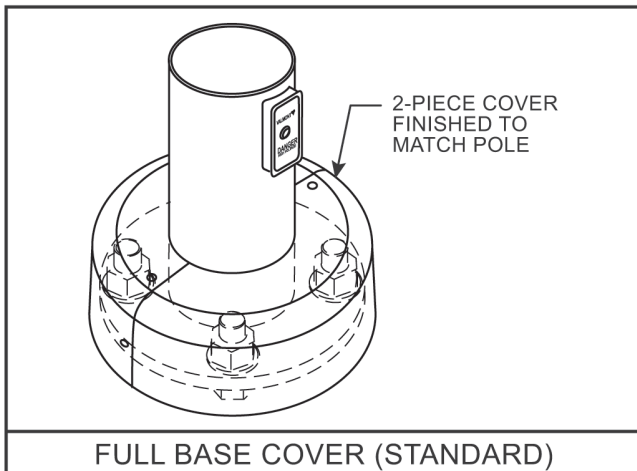
DS340 - Round Non-Tapered Steel Post



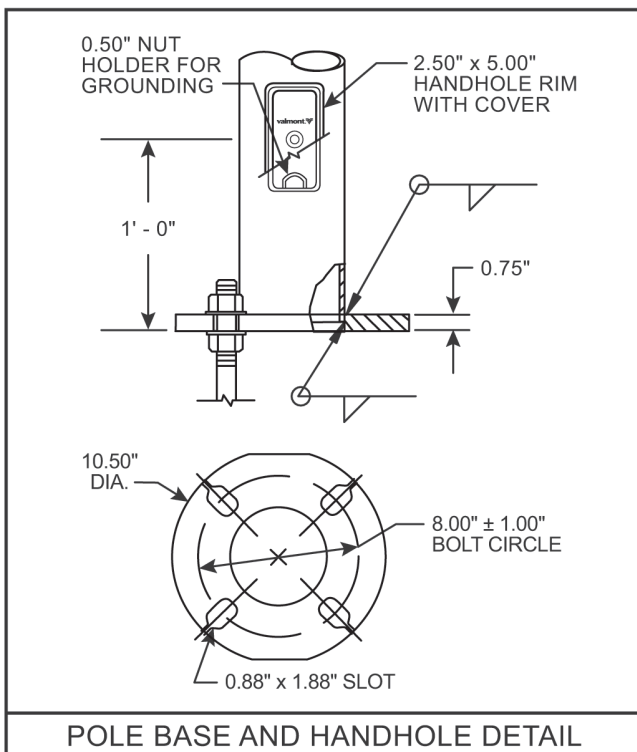
CAP DETAIL (STANDARD)



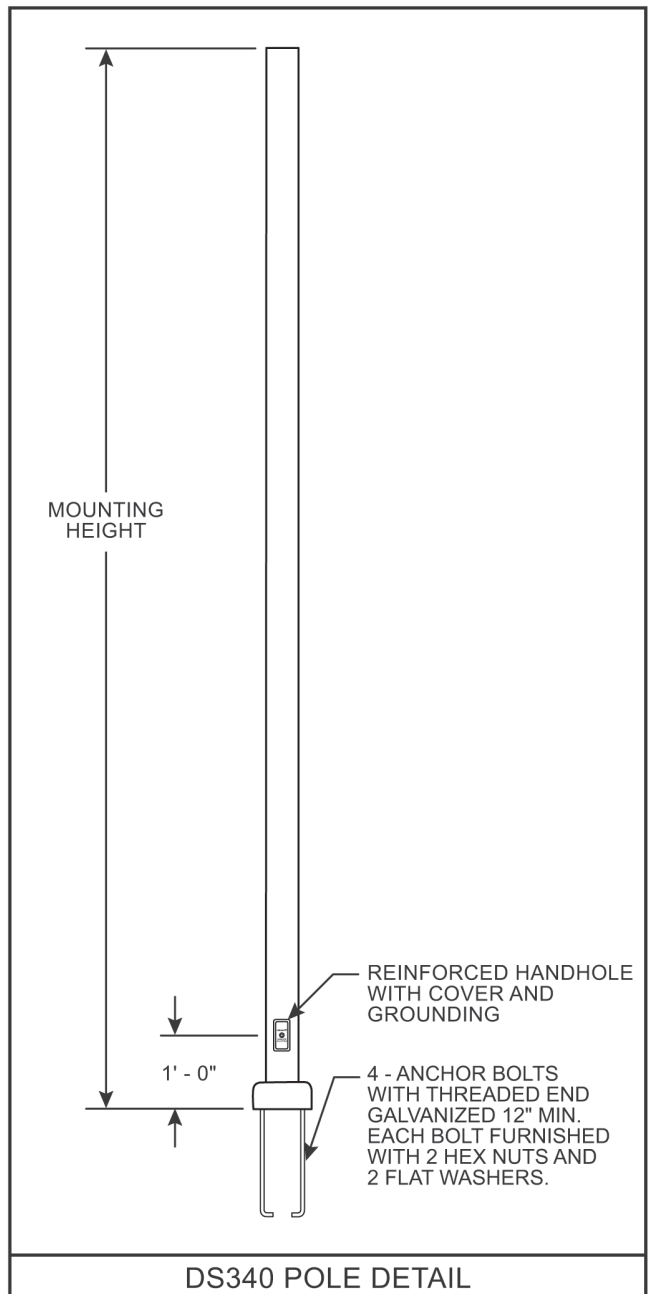
P2 TENON DETAIL (OPTIONAL)



FULL BASE COVER (STANDARD)



POLE BASE AND HANDHOLE DETAIL

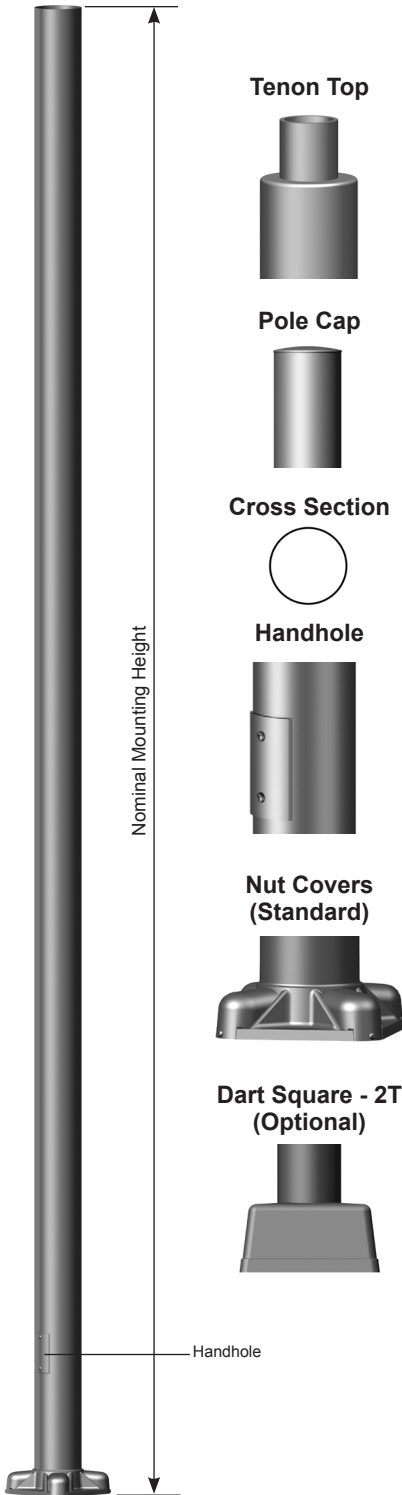


DS340 POLE DETAIL

SPC7205 12/17 valmontstructures.com carries the most current spec information and supersedes these guidelines.

Job Name: _____	Client Name: _____
Job Location - City: _____ State: _____	Created By: _____ Date: _____
Product: _____ Quote: _____	Customer Approval: _____ Date: _____

SPECIFICATIONS



Pole - The pole shaft is extruded from seamless alloy aluminum.

Pole Top - A pole top tenon is provided for top mount luminaire and/or bracket. A removable pole cap is available for poles receiving drilling patterns for side-mount luminaire arm assemblies.

Handhole - A covered handhole with hardware and grounding provision are provided.

Base Cover - Optional Dart Square-2T cast and decorative base covers available as special order.

Anchor Base - The anchor base is cast from 356 alloy aluminum. The completed assembly is heat-treated to a T6 temper. Aluminum nut covers are included with anchor base unless otherwise specified.

Anchor Bolts - Anchor bolts conform to ASTM F1554 Grade 55 and are provided with two hex nuts and two flat washers. Bolts have an "L" bend on one end and are galvanized a minimum of 12" on the threaded end.

Finish - The standard finish for the pole assembly and components is satin brushed, natural anodize, duranodic or polyester powder applied coating in accordance with Valmont's Specifications. Additional finish options available upon request.

Design Criteria - Please reference Design Criteria Specification for appropriate design conditions.

16' to 30' ROUND NON-TAPERED ALUMINUM

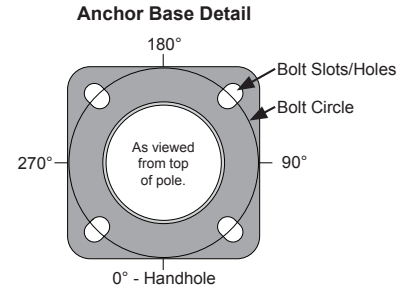
4-Bolt Anchor Base



Job Name: _____	Client Name: _____
Job Location - City: _____ State: _____	Created By: _____ Date: _____
Product: _____ Quote: _____	Customer Approval: _____ Date: _____

ANCHORAGE DATA

POLE	BASE PLATE					ANCHOR BOLTS		
	BASE OD (IN)	WALL THK (IN)	BOLT CIRCLE		THK (IN)	DIA x LENGTH x HOOK (IN)	PROJECTION (IN)	± (IN)
		DIA (IN)	± (IN)	SQUARE (IN)				
4.00	0.125	7.50	0.75	8.91	0.630	0.75 x 17.00 x 3.00	3.25	N/A
4.50	0.125	7.84	0.78	9.26	0.630	0.75 x 17.00 x 3.00	3.25	N/A
4.50	0.188	7.84	0.78	9.26	0.630	0.75 x 17.00 x 3.00	3.25	N/A
5.00	0.125	8.63	0.88	9.61	0.630	0.75 x 17.00 x 3.00	3.25	N/A
5.00	0.156	8.63	0.88	9.61	0.630	0.75 x 17.00 x 3.00	3.25	N/A
5.00	0.188	8.63	0.88	9.61	0.630	0.75 x 17.00 x 3.00	3.25	N/A
6.00	0.156	9.50	0.75	10.32	0.630	0.75 x 17.00 x 3.00	3.50	N/A
6.00	0.188	9.50	0.75	10.32	0.630	0.75 x 17.00 x 3.00	3.50	N/A



LOAD AND DIMENSIONAL DATA

NOMINAL MOUNTING HEIGHT	DESIGN INFORMATION										POLE DIMENSIONS					
	70 MPH w/1.3 GUST		80 MPH w/1.3 GUST		90 MPH w/1.3 GUST		100 MPH w/1.3 GUST		110 MPH w/1.3 GUST		POLE HEIGHT	BASE OD (IN)	TOP OD (IN)	WALL THK (IN)	STRUCTURE WEIGHT ₂ (LBS)	MODEL NUMBER
	MAX EPA, (SQ FT)	MAX WEIGHT (LBS)	MAX EPA, (SQ FT)	MAX WEIGHT (LBS)	MAX EPA, (SQ FT)	MAX WEIGHT (LBS)	MAX EPA, (SQ FT)	MAX WEIGHT (LBS)	MAX EPA, (SQ FT)	MAX WEIGHT (LBS)						
16'-0"	3.2	100	1.9	100	1.0	100	0.5	100	0.2	100	16'-0"	4.00	4.00	0.125	33	160040404S4
	5.1	100	3.3	100	2.2	100	1.6	100	1.2	100	16'-0"	4.50	4.50	0.125	37	160045454S4
	8.7	100	6.0	100	4.3	100	3.4	100	2.6	100	16'-0"	4.50	4.50	0.188	53	160045456S4
	7.4	100	5.1	100	3.8	100	3.0	100	2.3	100	16'-0"	5.00	5.00	0.125	41	160050504S4
	9.8	100	6.9	100	5.3	100	4.1	100	3.3	100	16'-0"	5.00	5.00	0.156	50	160050505S4
	12.2	100	8.7	100	6.7	100	5.3	100	4.2	100	16'-0"	5.00	5.00	0.188	58	160050506S4
18'-0"	17.9	100	13.5	100	10.5	100	8.3	100	6.8	100	16'-0"	6.00	6.00	0.156	59	160060605S4
	21.9	100	16.5	100	12.8	100	10.3	100	8.4	100	16'-0"	6.00	6.00	0.188	70	160060606S4
	6.7	100	4.5	100	3.1	100	2.3	100	1.8	100	18'-0"	4.50	4.50	0.188	59	180045456S4
	5.6	100	3.7	100	2.7	100	2.0	100	1.5	100	18'-0"	5.00	5.00	0.125	45	180050504S4
	7.7	100	5.2	100	3.9	100	3.0	100	2.3	100	18'-0"	5.00	5.00	0.156	55	180050505S4
	9.7	100	6.8	100	5.1	100	4.0	100	3.1	100	18'-0"	5.00	5.00	0.188	65	180050506S4
20'-0"	18.0	100	13.5	100	10.5	100	8.3	100	6.7	100	18'-0"	6.00	6.00	0.188	78	180060606S4
	5.1	100	3.2	100	2.0	100	1.4	100	1.0	100	20'-0"	4.50	4.50	0.188	64	200045456S4
	4.1	100	2.4	100	1.7	100	1.2	100	0.8	100	20'-0"	5.00	5.00	0.125	50	200050504S4
	5.9	100	3.8	100	2.8	100	2.0	100	1.5	100	20'-0"	5.00	5.00	0.156	61	200050505S4
	7.6	100	5.2	100	3.8	100	2.9	100	2.2	100	20'-0"	5.00	5.00	0.188	72	200050506S4
	11.9	100	8.8	100	6.7	100	5.3	100	4.2	100	20'-0"	6.00	6.00	0.156	73	200060605S4
25'-0"	14.9	100	11.1	100	8.5	100	6.7	100	5.4	100	20'-0"	6.00	6.00	0.188	86	200060606S4
	2.1	100	0.6	100	0.0	100	0.0	100	0.0	100	25'-0"	4.50	4.50	0.188	79	+250045456S4
	6.9	100	4.9	100	3.6	100	2.7	100	2.0	100	25'-0"	6.00	6.00	0.156	90	+250060605S4
30'-0"	9.1	100	6.6	100	4.9	100	3.8	100	2.9	100	25'-0"	6.00	6.00	0.188	106	250060606S4
	5.0	100	3.4	100	2.3	100	1.6	100	1.1	100	30'-0"	6.00	6.00	0.188	127	+300060606S4

- EPA represents the Effective Projected Area of each luminaire. Designs are limited to top mount or side-mount luminaires. Variations from sizes above are available upon inquiry at the factory. Satisfactory performance of poles is dependent upon the pole being properly attached to a supporting foundation of adequate design.
- Structure weight is a nominal value which includes the pole shaft and base plate.
 - + Pole includes factory installed vibration damper.

PRODUCT ORDERING CODES

CROSS SECTION	MODEL NUMBER	FIXTURE MOUNTING	COLOR	OPTIONS	
R					
R = Round	160040404S4 160045454S4 160045456S4 160050504S4 160050505S4 160050506S4 160060605S4 160060606S4 180045456S4 180050504S4 180050505S4 180050506S4 180060606S4 200045456S4 200050504S4 200050505S4	Drill Mounting D1 = 1 Luminaire D2 = 2 @ 180° D3 = 3 @ 120° D4 = 4 @ 90° D5 = 2 @ 90° D6 = 3 @ 90° Tenon Mounting P2 = 2.38" OD x 4.00" P3 = 3.50" OD x 6.00" P4 = 4.00" OD x 6.00" P5 = 2.88" OD x 4.00" P7 = 2.38" OD x 5.00" PQ = 2.38" OD x 12.00" PD = 3.00" OD x 3.00" -- = Plain Top P9 = Other Tenon (Contact Factory)	Polyester Powder DWH = White DSS = Sandstone BR = Burgundy HG = Hunter Green DNA = Natural Aluminum DCG = Charcoal Gray DMB = Medium Bronze SBN = Sanded Brown DNB = New Dark Bronze DDB = Dark Bronze SBK = Sanded Black DBL = Black DSB = Steel Blue DTG = Dark Green DBR = Red SC = Special Color (Contact Factory)	Anodized 204 = Clear Natural 311 = Light Bronze* 312 = Medium Bronze* 313 = Dark Bronze* 335 = Black* *Duranodic Anodize Brushed SBF = Satin Brushed	See Accessories at valmontstructures.com (Please Specify with Code)

SPC7545 06/13 valmontstructures.com carries the most current spec information and supersedes these guidelines.