

| | |
|---|--------------------------------------|
| Job Name: _____ | Client Name: _____ |
| Job Location - City: _____ State: _____ | Created By: _____ Date: _____ |
| Product: _____ Quote: _____ | Customer Approval: _____ Date: _____ |

SPECIFICATIONS

Pole - Pole shaft conforms to ASTM A595 Grade A or A572 Grade 55 with a constant linear taper of 0.14 in/ft.

Fluting Process - The tapered shafts are cold rolled over a precision hardened steel mandrel to form the desired flute shape. The flutes are uniform and equally spaced throughout the process. The termination of the flutes is no greater than 1.50" radii transition into the round section of the shaft. The results of this fluting process are flutes with architecturally pleasing radiused terminations and crisp uniform flutes.

Linear Flute Layout - Flutes start and stop to ensure nut covers and anchor base connection fit a smooth round diameter and provides mounting of side-mount luminaire arm assemblies. Flute start and stop locations should be specified.

Pole Top - A pole top plate and tenon are provided for top mount luminaire and/or bracket. A removable decorative spear finial is provided for poles receiving drilling patterns for side-mount luminaire arm assemblies.

Handhole - A covered handhole and grounding provision with hardware is provided.

Nut Covers - Decorative anchor bolt nut covers with hardware are provided.

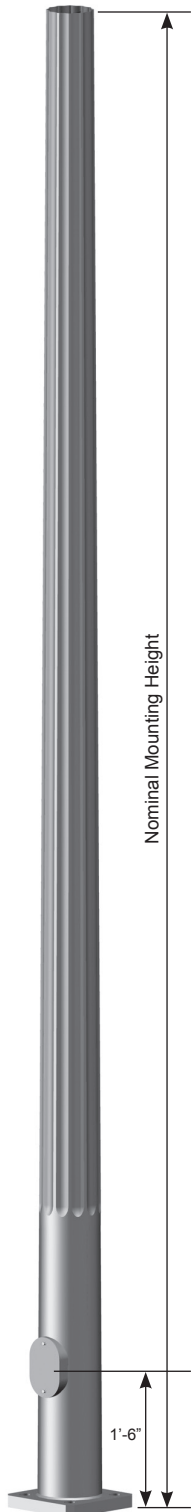
Base Cover - Optional decorative base covers available as special order.

Anchor Base - The anchor base (base plate) conforms to ASTM A36.

Anchor Bolts - Anchor bolts conform to ASTM F1554 Grade 55 and are provided with two hex nuts and two flat washers. Bolts have an "L" bend on one end and are galvanized a minimum of 12" on the threaded end.

Finish - Standard finishes are galvanized, prime painted or any of Valmont's V-PRO™ Protection Systems. Additional finish options available upon request.

Design Criteria - Please reference Design Criteria Specification for appropriate design conditions.



Tenon Top



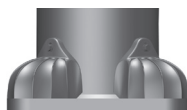
Finial



Handhole

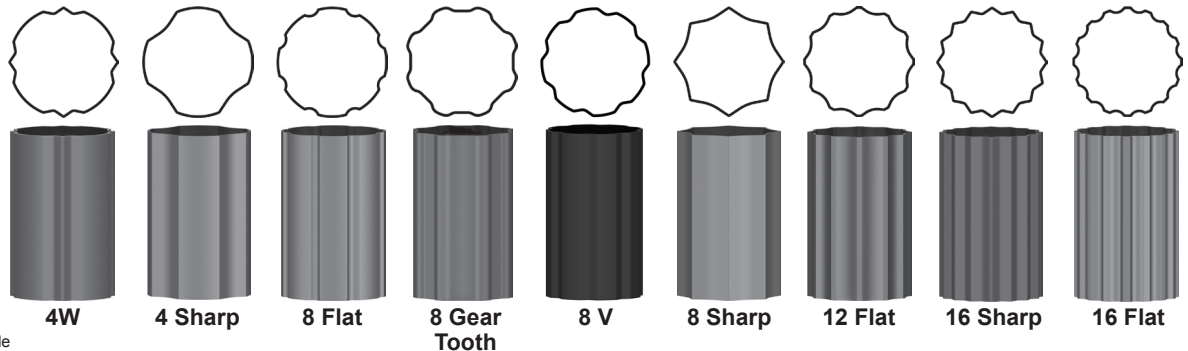


Nut Covers



Nominal Mounting Height

**Cross Section
Fluted**



Handhole

1'-6"

ROUND TAPERED FLUTED STEEL FL210



STRUCTURES

| | |
|---|--------------------------------------|
| Job Name: _____ | Client Name: _____ |
| Job Location - City: _____ State: _____ | Created By: _____ Date: _____ |
| Product: _____ Quote: _____ | Customer Approval: _____ Date: _____ |

DESIGNATION, LOAD AND DIMENSIONAL DATA

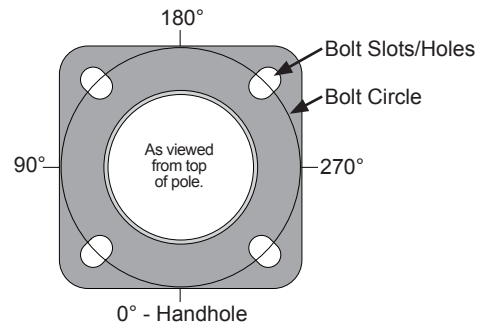
| NOMINAL MOUNTING HEIGHT | DESIGN INFORMATION | | | | | | POLE DIMENSIONS | | | | DESIGNATION |
|-------------------------|-----------------------------|-------------------------------|-----------------------------|-------------------------------|-----------------------------|-------------------------------|-----------------|-------------|---------------|-------------------------------------|-------------|
| | 80 MPH w/1.3 GUST | | 90 MPH w/1.3 GUST | | 100 MPH w/1.3 GUST | | BASE OD (IN) | TOP OD (IN) | WALL THK (GA) | STRUCTURE WEIGHT ² (LBS) | |
| | MAX EPA ¹ (SQFT) | MAX WEIGHT ¹ (LBS) | MAX EPA ¹ (SQFT) | MAX WEIGHT ¹ (LBS) | MAX EPA ¹ (SQFT) | MAX WEIGHT ¹ (LBS) | | | | | |
| 20'-0" | 21.0 | 525 | 15.0 | 375 | 12.0 | 300 | 6.72 | 3.92 | 11 | 175 | 672A200 |
| 25'-0" | 17.0 | 425 | 12.0 | 300 | 9.0 | 225 | 7.30 | 3.80 | 11 | 215 | 730A250 |
| | 31.0 | 775 | 24.0 | 600 | 18.0 | 450 | 7.75 | 4.25 | 7 | 345 | 775E250 |
| 30'-0" | 14.0 | 350 | 10.0 | 250 | 7.0 | 175 | 8.00 | 3.80 | 11 | 265 | 800A300 |
| | 25.0 | 625 | 18.0 | 450 | 14.0 | 350 | 8.00 | 3.80 | 7 | 380 | 800E300 |
| 35'-0" | 12.0 | 300 | 8.0 | 200 | 4.0 | 100 | 8.45 | 3.55 | 11 | 320 | 845A350 |
| | 25.0 | 625 | 18.0 | 450 | 13.0 | 325 | 9.00 | 4.10 | 7 | 500 | 900E350 |
| 39'-0" | 10.0 | 250 | 6.0 | 150 | 3.0 | 75 | 9.00 | 3.54 | 11 | 355 | 900A390 |
| | 26.0 | 650 | 18.0 | 450 | 13.0 | 325 | 10.00 | 4.54 | 7 | 605 | T00E390 |

- Maximum EPA (Effective Projected Area) and weight values are based on top mounted luminaires and/or brackets having a centroid 2'-6" above the Nominal Mounting Height. Variations from sizes above are available upon inquiry at the factory. Satisfactory performance of poles is dependent upon the pole being properly attached to a supporting foundation of adequate design.
- Structure Weight is a nominal value which includes the pole shaft and base plate only.

ANCHORAGE DATA

| POLE | | BASE PLATE | | | | ANCHOR BOLTS | | | |
|--------------|---------------|-------------|--------|-------------|----------|--------------------------|-----------------|--------|--|
| BASE OD (IN) | WALL THK (GA) | BOLT CIRCLE | | SQUARE (IN) | THK (IN) | DIA x LENGTH x HOOK (IN) | PROJECTION (IN) | ± (IN) | |
| | | DIA (IN) | ± (IN) | | | | | | |
| 6.72 | 11 | 10.00 | 0.50 | 11.00 | 0.875 | 1.00 x 36.00 x 4.00 | 4.13 | 0.25 | |
| 7.30 | 11 | 10.50 | 0.50 | 11.25 | 0.875 | 1.00 x 36.00 x 4.00 | 4.13 | 0.25 | |
| 7.75 | 7 | 11.00 | 0.50 | 11.50 | 1.250 | 1.00 x 36.00 x 4.00 | 4.50 | 0.25 | |
| 8.00 | 11 | 11.00 | 0.50 | 11.75 | 0.875 | 1.00 x 36.00 x 4.00 | 4.13 | 0.25 | |
| 8.00 | 7 | 11.00 | 0.50 | 12.75 | 1.250 | 1.25 x 42.00 x 6.00 | 5.00 | 0.25 | |
| 8.45 | 11 | 11.50 | 0.50 | 12.00 | 1.000 | 1.00 x 36.00 x 4.00 | 4.25 | 0.25 | |
| 9.00 | 7 | 12.50 | 0.50 | 13.50 | 1.250 | 1.25 x 42.00 x 6.00 | 5.00 | 0.25 | |
| 9.00 | 11 | 12.50 | 0.50 | 12.50 | 1.000 | 1.00 x 36.00 x 4.00 | 4.25 | 0.25 | |
| 10.00 | 7 | 13.50 | 0.50 | 14.00 | 1.250 | 1.25 x 42.00 x 6.00 | 5.00 | 0.25 | |

Anchor Base Detail



PRODUCT ORDERING CODES

| MODEL | CROSS SECTION | DESIGNATION | FIXTURE MOUNTING | FINISH | COLOR | ANCHOR BOLTS | BASE COVER |
|-------|---|---|--|---|---|--|--|
| FL210 | A = 8 Sharp C = 12 Flat D = 16 Sharp E = 16 Flat F = 8 Flat G = 4 Sharp W = 4W Shape B = 8 Gear V = 8 V | 672A200 730A250 775E250 800A300 800E300 845A350 900E350 900A390 T00E390 | Drill Mounting D1 = 1 Luminaire D2 = 2 @ 180° D3 = 3 @ 120° D4 = 4 @ 90° D5 = 2 @ 90° D6 = 3 @ 90° Tenon Mounting P2 = 2.38" OD x 4.00" P3 = 3.50" OD x 6.00" P4 = 4.00" OD x 6.00" P5 = 2.88" OD x 4.00" P7 = 2.38" OD x 5.00" PQ = 2.38" OD x 12.00" PD = 3.00" OD x 3.00" -- = Plain Top P9 = Other Tenon (Contact Factory) | GV = Galvanize FP = Finish Paint FPGV = Finish Paint Over Galvanizing | GV = Galvanize BL = Black DB = Dark Bronze MB = Medium Bronze WH = White LG = Light Gray CB = Bronze SL = Silver SM = Silver Metallic SC = Special Color (Consult Factory) | AB = With Anchor Bolts LAB = Without Anchor Bolts | NC = Nut Covers FBC = Steel Full Base Cover |